



TS-150-M8

Liquid Temperature Sensor

Measurement features		
Range	-50 to +150	°C
Accuracy	2	°C
Sensitive Element Standard	Silicon sensor	
Sensitivity	+22.5 ⁽¹⁾	mV/°C
Response time 0-90% (into water @ 95°C)	12	s
Electrical features		
Supply Voltage	5±0.2 ⁽¹⁾	V
Supply Current	< 1	mA
Output Voltage	0...5 ⁽¹⁾	V
Output Impedance	< 100	Ω
Load Resistance	>5000	Ω
Mechanical features		
Material	Stainless steel	
Recommended tightening torque	12	N.m
Dimension and weight	See & Housing options	
Environment		
Protection	IP66	
Maximum service pressure	200	bar
Burst pressure	600	bar
Vibration test	20 Gpp 5'	
Shock	500	G
Operating Temp	-50 to +150	°C
Storage Temp	-50 to +150	°C

Calibration table	
Temp. °C	Output ⁽¹⁾ (+22.5mV/°C) V
-50	0.250
-40	0.475
-20	0.925
0	1.375
20	1.825
40	2.275
60	2.725
80	3.175
100	3.625
120	4.075
140	4.525
150	4.750

Texense sensors are designed for data logging. Should the users want to include this sensor in a closed loop system, they must undertake total responsibility from doing so.

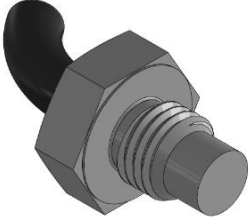
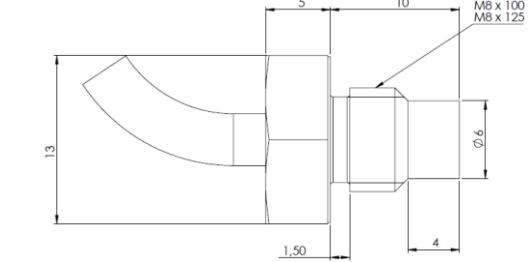
Ordering information

Ordering ref:

TS-150 – Housing version

M8x1.0-10 : M8x1.0mm thread, 10mm probe
M8x1.25-10 : M8x1.25mm thread, 10mm probe (contact)
M8x1.0-14 : M8x1.0mm thread, 14mm probe
M8x1.25-14 : M8x1.25mm thread, 14mm probe (contact)

ex: TS-150-M8x1.0-14

Housing ordering code	Weight	View	Drawing
M8x1.0-10 M8x1.25-10	8g		
M8x1.0-14 M8x1.25-14	8.5g	